

# TOILET CUBICLE SYSTEMS

## SUPREME SERIES > ZEN SYSTEM SPECIFICATIONS

### Scope of Work

Supply and installation of **RESCO SUPREME** Series ZEN Ceiling-Hung Toilet Cubicle System.

### Materials

All Doors, Pilasters and Dividing Panels shall be of 19/12mm thick high density waterproof solid compact laminates (phenolic core) with high pressure melamine finished on both sides. All framing shall be heavy-duty specially extruded aluminum section and complete with natural anodize finished. Powder coated finished is available upon request with surcharge.

### Size

The recommended cubicle size shall be 900mm (W) x 1700mm (D) for maximum stability. The overall height of cubicle measured from finishing ceiling level to bottom of the pilaster shall be 2400mm/2700mm and the door panel shall be 1800mm including ground clearance 150mm - 200mm.

### Doors

All doors shall be 600mm of same material except handicapped/disability cubicles door of size 900mm/800mm respectively, with all vertical edges chamfered, fixed onto pilaster with 3 nos. of stainless steel hinges and completed with coat hook.

### Pilasters

Pilasters shall be 19mm thick of the same material with rebate edging configuration to receive door. Heavy duty mild steel C channel in galvanized finish affixed to the top of false / plaster ceiling angle with brackets using stainless steel bolt and nut fixing.

All end pilasters shall be fixed to adjacent brick wall with 3 nos. of 2mm stainless steel mounting brackets or aluminum 'U' channel with choice of original natural anodized or powder coated finish.

### Partitions

All partitions shall be 12 mm thick of same material and fixed to adjacent brick wall and pilaster with 2mm thick stainless steel mounting brackets or aluminum 'U' channel with choice of original natural anodized or powder coated finish.

### Accessories

Each toilet cubicle shall be equipped with the following stainless steel accessories:

- Lock with indicator.
- Door Knob
- Heavy-duty hinges.
- Coat hook cum rubber doorstop.



### Shop Drawings and Colour Sample

Standard shop drawings showing sizes and fixing details of cubicle system will be submitted to the Architect for approval (if required)

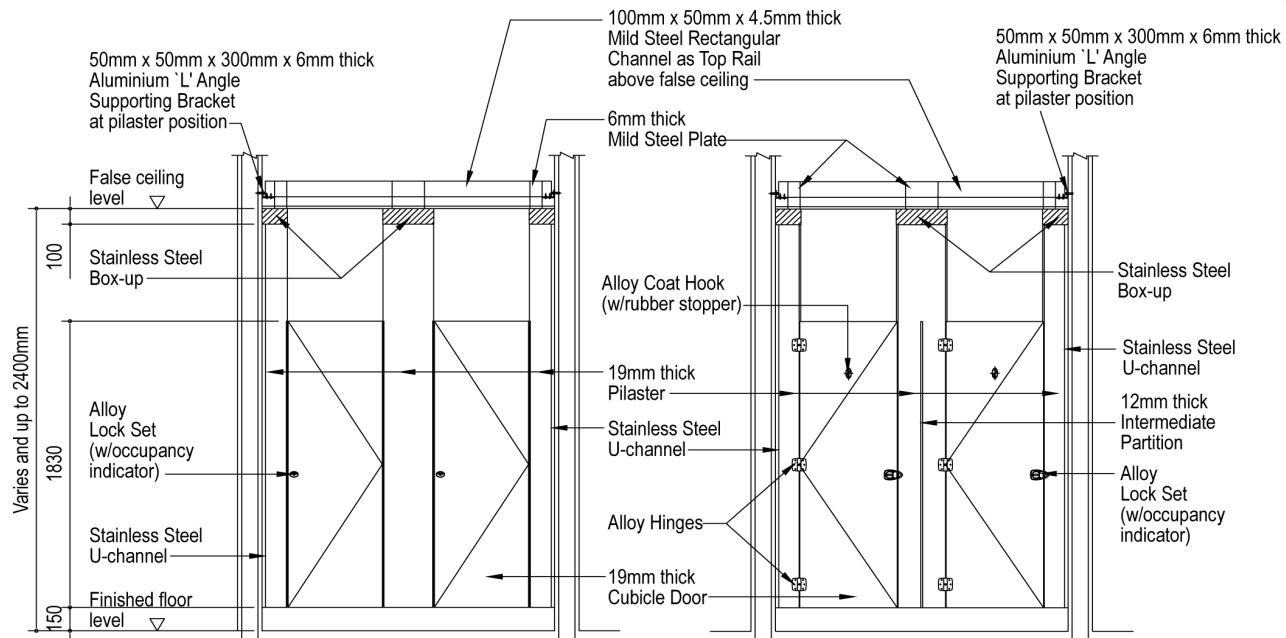
RESCO colour range will be submitted to the Architect for selection.



# TOILET CUBICLE SYSTEMS

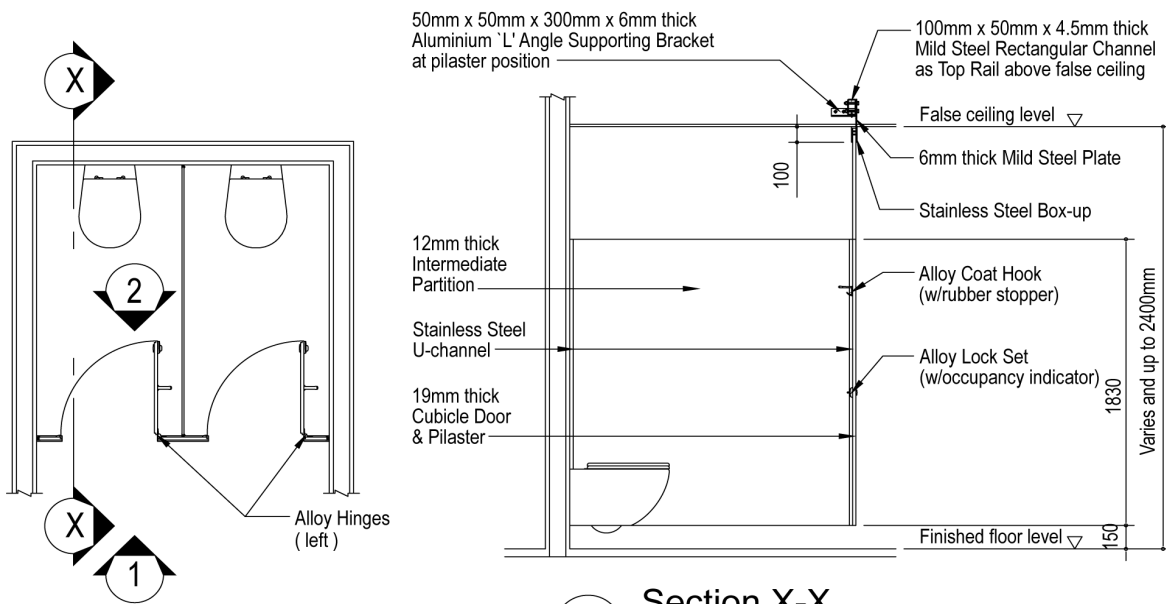
## SUPREME SERIES > ZEN SYSTEM SPECIFICATIONS

ZENceiling Specification Drawings Alloy + Stainless Steel (grade304)



Elevation 1

Elevation 2



Section X-X



Layout Plan of Restroom Cubicle